

**Aipu Hunter-MG 型振动筛**  
**Hunter-MG series shale shaker**



陕西艾潜·中国西安

Shaanxi Aipu · Xi'an, China

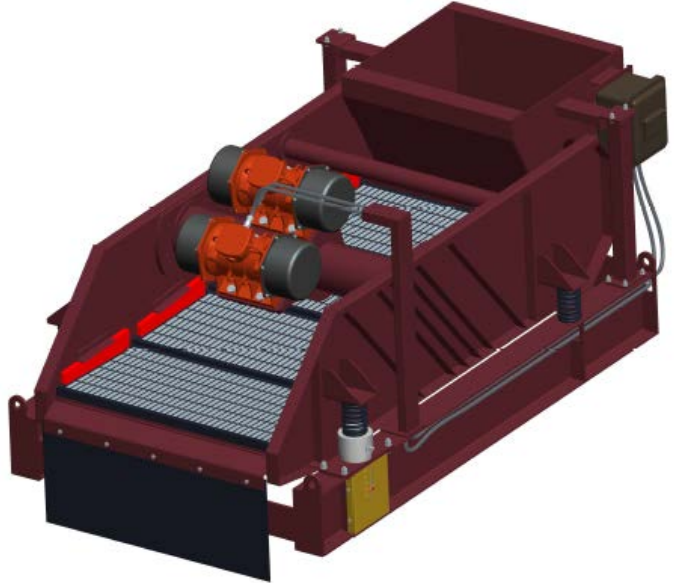
# Hunter-MG型振动筛

## Hunter-MG series shaker

### 应用·Application

对钻井液进行有效地第一级固液分离，  
广泛应用到油气钻井行业

Achieve effective 1<sup>st</sup> phase drilling mud  
solids control. Widely used in oil and  
gas drilling



### 效果·Result

高效的固液分离，为后续工作提供良  
好基础，减少了后续废物总理的处理  
费用，降低了浪费泥浆的损失

Great performance provides good  
condition for further process. Decrease  
much cost on process or waste

## 设备特征及优点 · The features and benefits

- ⊙ 高处理量
- ⊙ 大筛分面积
- ⊙ 强激振力
- ⊙ 灵活调节筛箱角度
- ⊙ 快速换装筛网
- ⊙ 易损件少
- ⊙ 高品质原材料并对筛箱整体进行热处理
- ⊙ 应用耐磨抗腐蚀涂料,以及不锈钢紧固件
- ⊙ 使用寿命更长
- ⊙ High treating capacity
- ⊙ Large screen non blanked area
- ⊙ Powerful vibration force
- ⊙ Flexible adjustment on deck angle
- ⊙ Fast change on shaker screen, interchangeable with Mongoose screen
- ⊙ Less spare parts
- ⊙ High quality material with heat treatment on whole shaker basket
- ⊙ Utilized anti-abrasion&anti-corrosion paint, and S.S fasteners
- ⊙ Longer service life

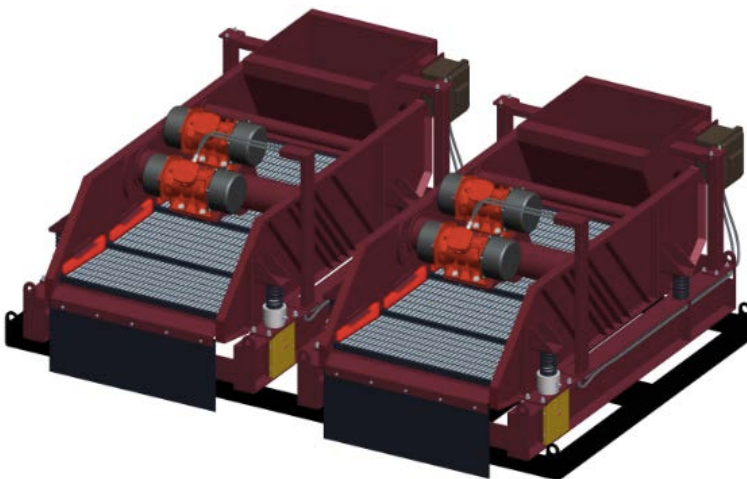
# Hunter-MG振动筛参数

## Standard Hunter-MG shaker specification

Model	Hunter-MG3	Hunter-MG4
Max Capacity	110m <sup>3</sup> /h	140m <sup>3</sup> /h
Screen Area	2.04m <sup>2</sup>	2.73m <sup>2</sup>
Screen Panel	3	4
Max G Force	7.0G	7.0G / 8.0G
Deck Angle	-1 - +5°	-1 - +5°
Dimension (mm)	2455×1670×1376	3040×1670×1376
Weight	1560Kg	1785Kg

### 更多选择 · More options

- 振动电机-Martin/Oli brand/Ita-Vibras  
-长电机或短电机
- 电制-定制化
- 筛网材质-铁框架或复合框架
- 可定制双联/三联筛
- 表面涂层颜色 ■ ■ ■ ■
- Vibrator motor-Martin/Oli brand/Ita-Vibras  
-Long motor or short motor
- Electrical system-Customizable
- Steel frame or Composite frame screen
- Dual tandem or triple tandem
- Surface paint ■ ■ ■ ■



# Hunter-MG直线型高激振力干燥筛

## Hunter-MG Linear Motion High G Drying Shaker

### 设备描述 · *General description*

沿袭Hunter-MG的一系列优秀品质，更换为更大激振电机及适当的筛网后，该振动筛可以用作高激振力干燥筛来使用，能为用户带来更好的筛分效果，且处理过的钻屑更干燥。是钻井废弃物处理的理想之选

This Hunter-MG can be used as High-G drying shale shaker after being installed vibrator motor with stronger vibration force as well as proper shaker screen. It will bring us better separation result. All cuttings discharged will be more dry. Saving much more cost for user. It's optimal solution for drilling waste management

### 设备特征及优点 · *The features and benefits*

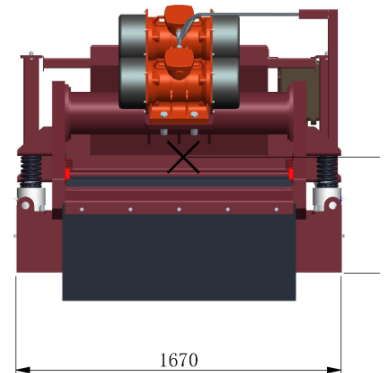
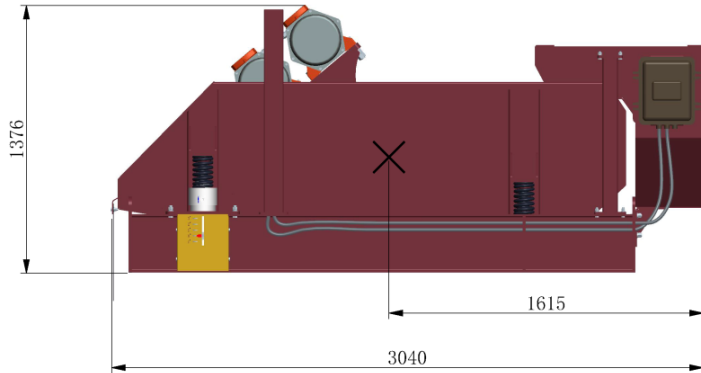
- 承袭标准Hunter-MG的一切优特点
- 振动电机更强劲
- 激振力更大
- 处理量更高
- 筛分效果更出色
- Contains all benefits of standard Hunter-MG shaker
- More powerful vibrator motor
- Stronger vibration strength
- Higher capacity
- Better separation result with great efficiency

### 基本参数 · *Specifications*

振动轨迹 / Vibration mode	直线型/Linear motion
电机功率 / Motor power	2.2KW x 2
激振强度 / Vibration strength	>7.5G
振幅 / Amplitude	5~6mm
处理量 / Capacity	150m <sup>3</sup> /h
筛箱角度 / Deck adjustment	-1~3°
电制 / Electrical system	380V/50HZ; 460V/60HZ
筛网 / Shaker screen	585x1165mm x 4
噪音 / Noise	≤85db
重量 / Weight	1750kg

# Hunter-MG4直线型高激振力振动筛

## Hunter-MG4 Linear Motion High G Shale Shaker

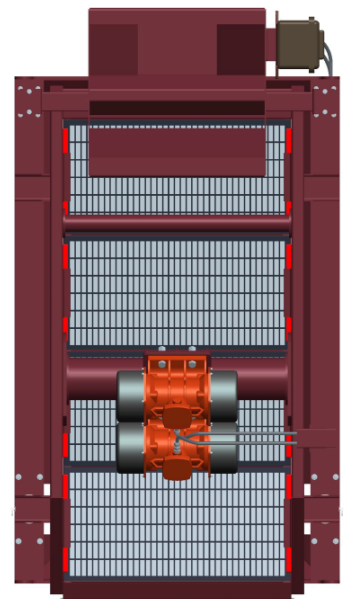


### 振动筛/Shaker

筛箱长度/Shaker basket length	2640mm (103.93in)
筛箱宽度/Shaker basket width	1665mm (65.55in)
筛箱高度/Shaker basket height	905mm(35.62in)
围堰高度/Weir height	980mm (38.58in)
筛箱调节角度/Deck angle	-1~3°

### 振动电机/Vibrator motor

功率/Power	2x2.2KW
电制/Electrical system	380V/50Hz;460V/60Hz (Customizable)
振动轨迹/ Vibration mode	直线型/Linear motion
振动强度/Vibration strength	7.0-8.0G/可调(Adjustable)





泥浆处理及钻井废弃物处理专业制造商  
Professional solids control equipment manufacturer



陕西艾潜机械制造有限公司  
Shaanxi Aipu Machinery Manufacture Co., Ltd

地址：陕西西安泾河工业园,泾园四路

电话：029-63611978

029-63611979

邮箱：Sales@aipugukong.com

**Add:** 4<sup>th</sup> Jingyuan Rd Jinghe Industry Zone,  
Xi'an, China

**Tel:** +86-29-63611979

**Email:** Sales@aipusolidcontrol.com